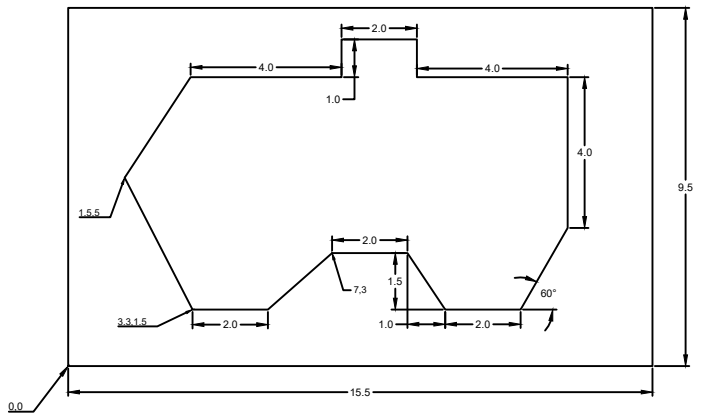
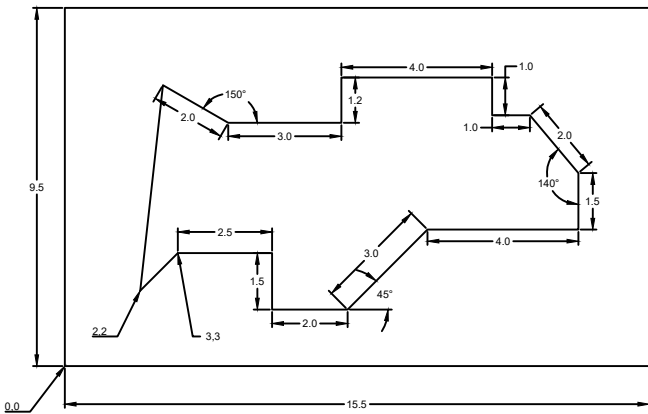
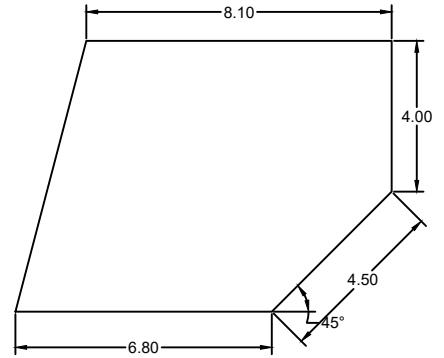
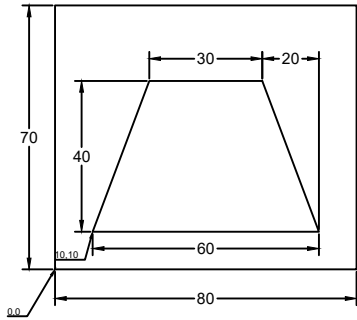
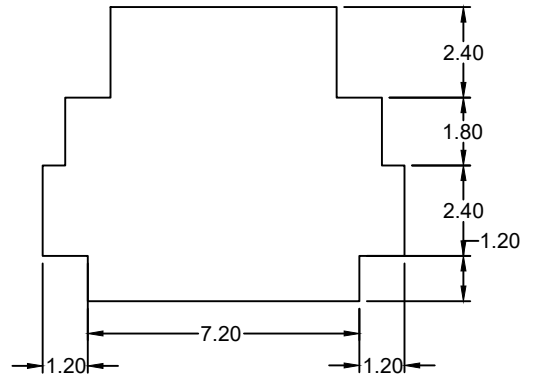
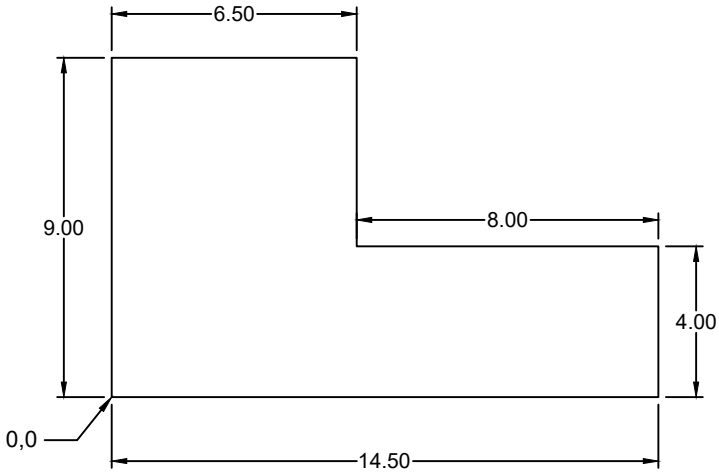


IF IN DOUBT PLEASE ASK.  
DO NOT SCALE THE DRAWING

SIGN		DATE		<p align="center"><b>Mech Arch CAD Academy, Kolhapur</b></p> <p align="center">mecharchsolutions@gmail.com      www.mecharch.in</p>	
DRN.BY					
CHKD.BY					
APPD.BY					
CUSTOMER				<p align="center"><b>AutoCAD Practice Drawings</b></p>	
<p align="center"><small>THIS DRG. IS THE PROPERTY OF MECH ARCH CAD SOLUTIONS AND IS NOT TO BE COPIED WITHOUT PERMISSION.</small></p>					
Material		Weight		Title	
CAD File Name				Scale	
				Sheet	
				Drawing No.	
				Model	

Unless Otherwise Specified:  
All Dimensions are in mm.



IF IN DOUBT PLEASE ASK.  
DO NOT SCALE THE DRAWING

SIGN		DATE		<p align="center"><b>Mech Arch CAD Academy, Kolhapur</b></p> <p align="center">mecharchsolutions@gmail.com      www.mecharch.in</p>	
DRN.BY					
CHKD.BY					
APPD.BY					
CUSTOMER				<p align="center"><b>AutoCAD Practice Drawings</b></p>	
<p align="center"><small>THIS DRG. IS THE PROPERTY OF MECH ARCH CAD SOLUTIONS AND IS NOT TO BE COPIED WITHOUT PERMISSION.</small></p>					
Material		Weight		Title	
CAD File Name				Scale	
				Sheet	
				Drawing No.	
				Model	