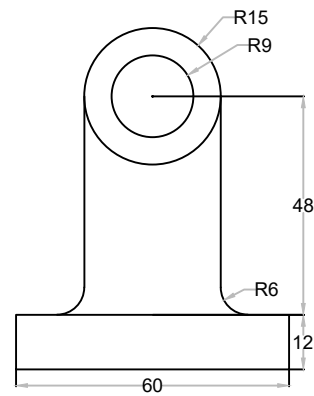
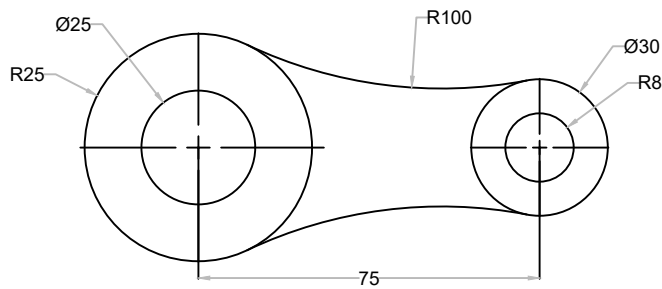
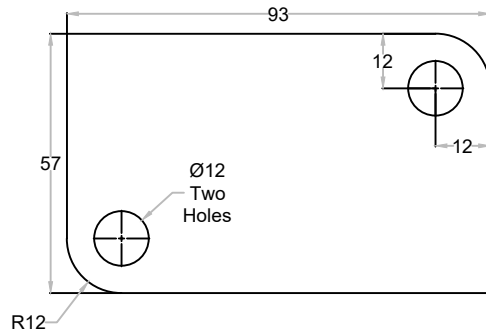
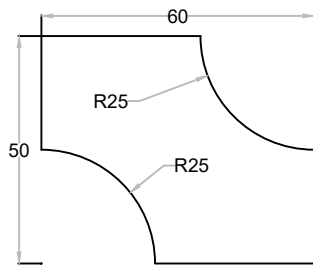
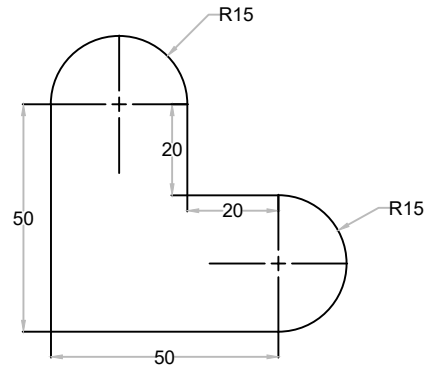
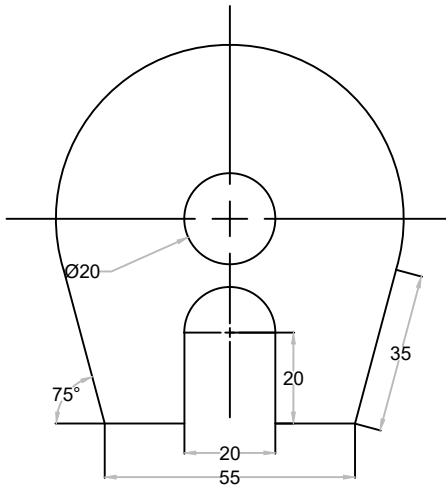


IF IN DOUBT PLEASE ASK.  
DO NOT SCALE THE DRAWING

SIGN		DATE		<b>Mech Arch CAD Academy, Kolhapur</b> mecharchsolutions@gmail.com      www.mecharch.in							
DRN.BY											
CHKD.BY											
APPD.BY											
CUSTOMER				<b>AutoCAD Practice Drawings</b>							
THIS DRG. IS THE PROPERTY OF MECH ARCH CAD SOLUTIONS AND IS NOT TO BE COPIED WITHOUT PERMISSION.											
Material		Weight		Title							
CAD File Name				Scale		Sheet		Drawing No.		Model	

Unless Otherwise Specified:  
All Dimensions are in mm.  
Remove all burrs and sharp edges.





IF IN DOUBT PLEASE ASK.  
DO NOT SCALE THE DRAWING

SIGN		DATE		<b>Mech Arch CAD Academy, Kolhapur</b>				mecharchsolutions@gmail.com www.mecharch.in	
DRN.BY									
CHKD.BY									
APPD.BY				<b>AutoCAD Practice Drawings</b>				<b>MECH-ARCH</b> CAD SOLUTIONS	
CUSTOMER									
MATERIAL				Weight				Scale	
CAD File Name				Model				Sheet No.	

Unless Otherwise Specified:  
All Dimensions are in mm.  
Remove all burrs and sharp edges.